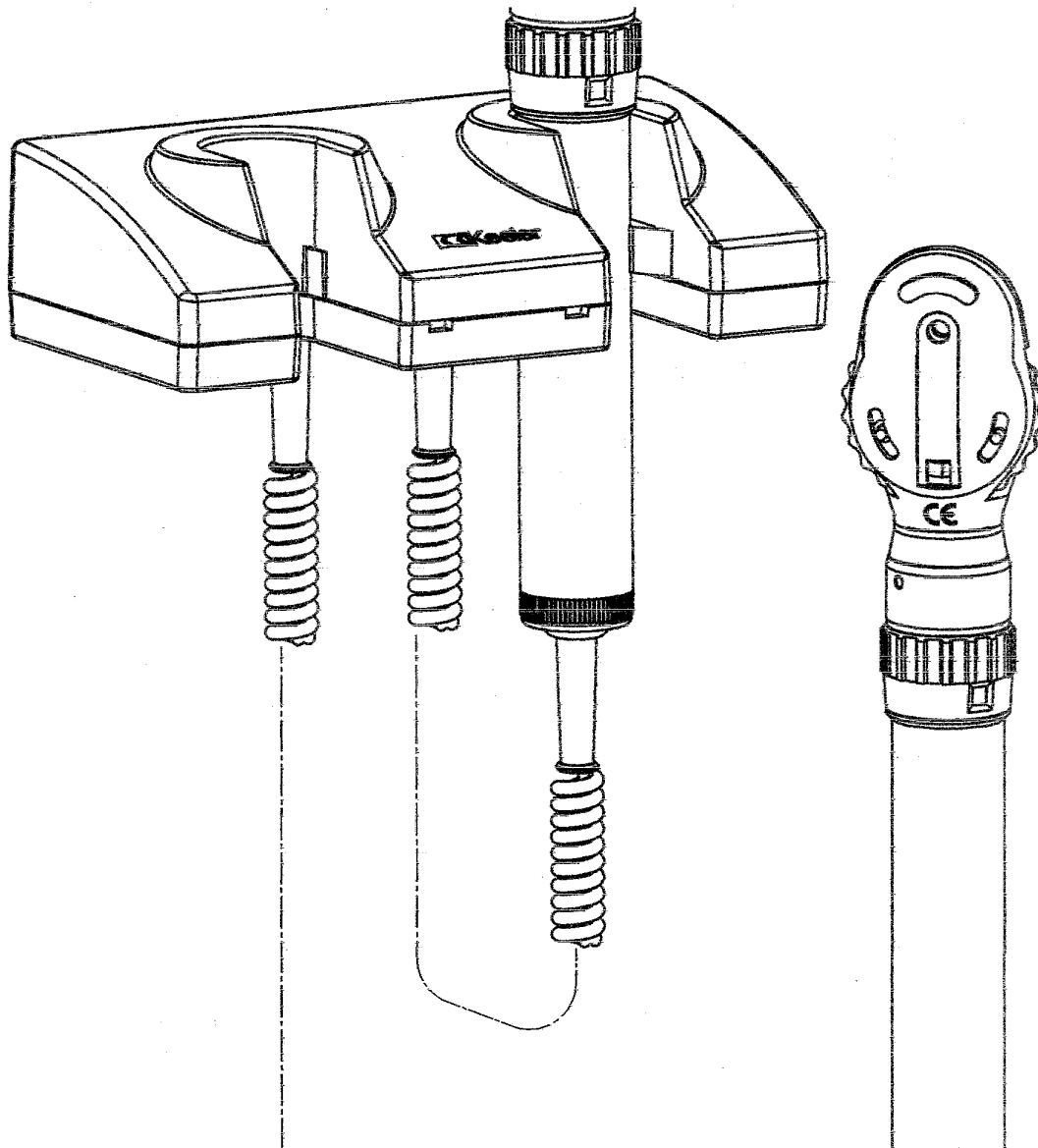


1964-P-2001 1964-P-2000



PLEASE READ AND FOLLOW THESE INSTRUCTIONS CAREFULLY

 Keeler

Keeler Wall Unit Instructions

Carefully read the instructions before using your Keeler product. For your own safety and that of your customers observe all cautionary information provided in this section. The following information is intended to highlight potential safety hazards that can be associated with misuse, or damage.

Warning

This product must not be used in the presence of flammable gases.



Do not disassemble or modify the product in any way. There are no serviceable parts inside.

If the product emits a strange odour, heat or smoke, stop use and disconnect from the mains.

The continued use of a damaged product or part may cause injuries.

Do not immerse the unit in any liquid.

Do not use unit if damaged and periodically visually inspect for signs of damage.

Keeler cord handles attached to a mains unit provide a 3.6v output to the instrument head. Care must be taken to ensure that only instrument heads fitted with a 3.6V bulb are connected.

Caution

Do not fit into damaged electrical supply outlet

For indoor use only (protect from moisture)

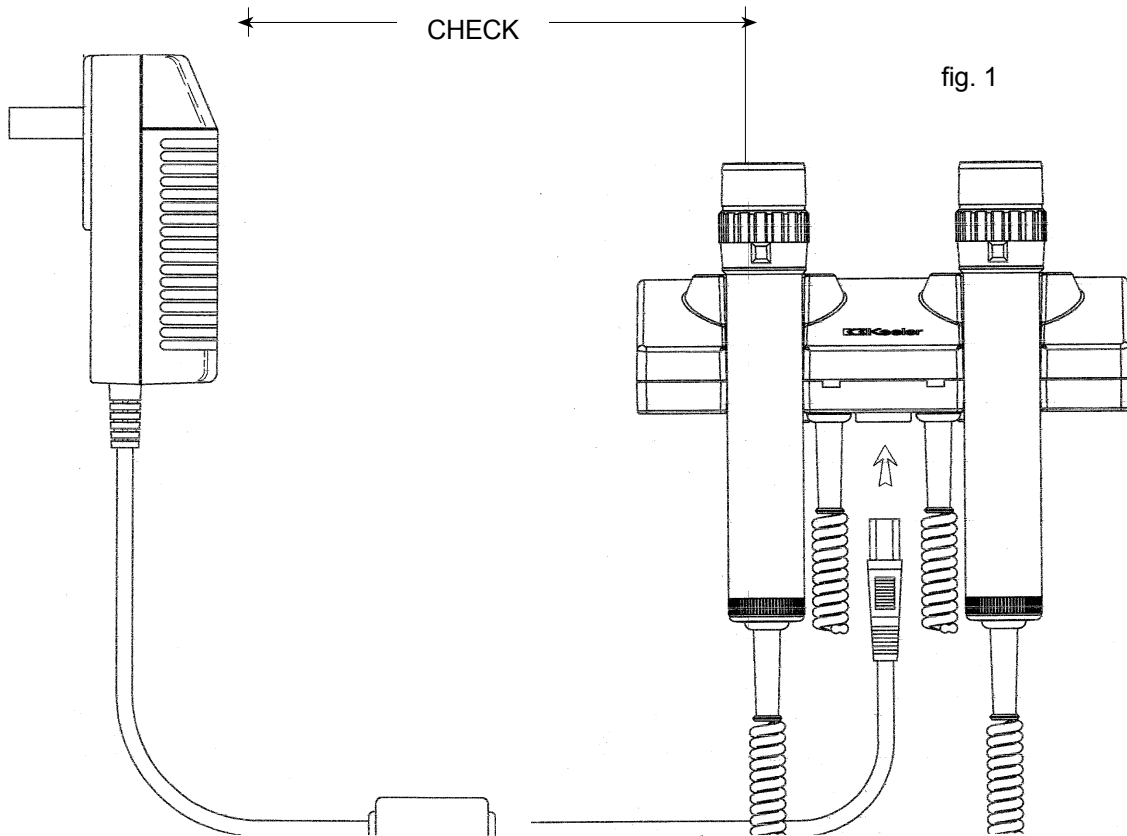
To prevent condensation from forming, allow instrument to come to room temperature before use.

When connecting instrument heads to handles check that voltage of the bulb in the instrument corresponds with the voltage of the handle.

Ensure that the control is in the off position when the examination has been completed.

Power Supply

Replace the blanking plate with the appropriate mains plug adapter, or use IEC 60320 TYPE 7 connector (not supplied) See fig. 1. Connect power supply to unit and plug in mains.



Wall Mounting

For the Gen Med Unit Dispenser Units drill two holes $\text{\O}6\text{mm}$ x 55mm deep and 110mm apart. For the Dispenser Unit drill an additional two holes 249mm below the existing holes using template in fig 2. and attached.

WALL UNIT &
DISPENSER
TEMPLATE
(see attached)

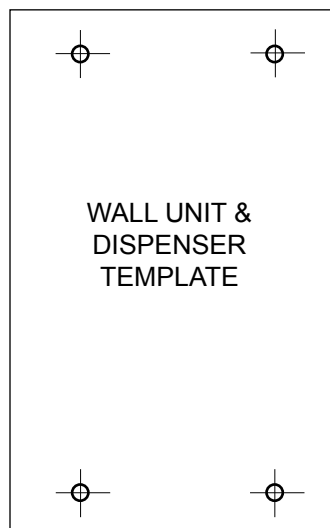
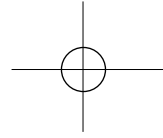
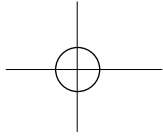
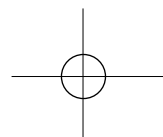
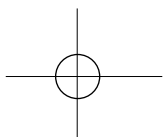


fig. 2



WALL UNIT & DISPENSER TEMPLATE

Scale 1:1 . Do not scale





CAUTION

fig. 3

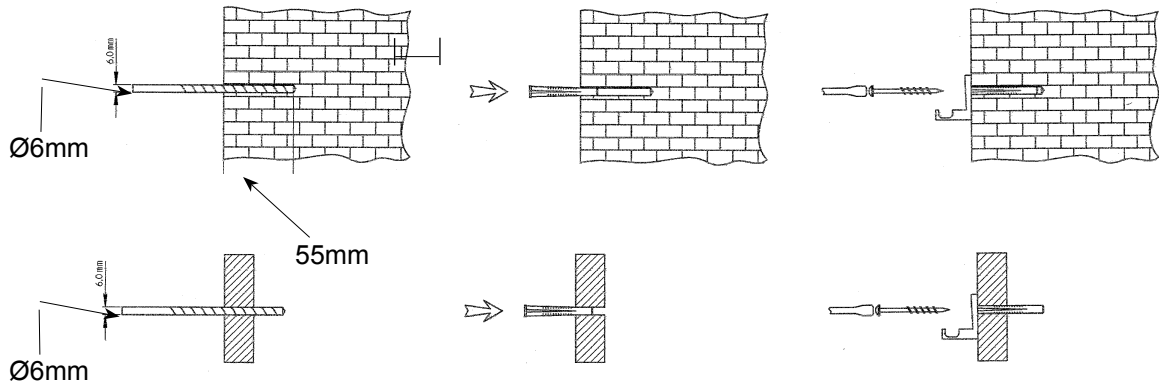


fig. 4

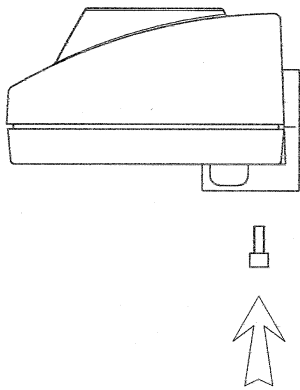
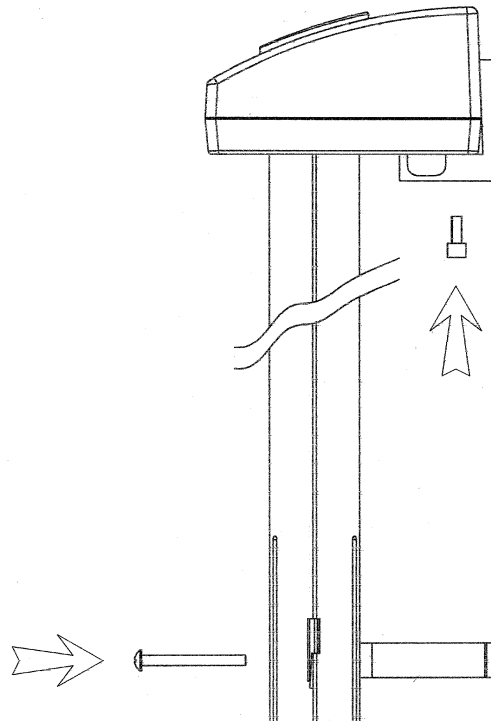


fig. 5



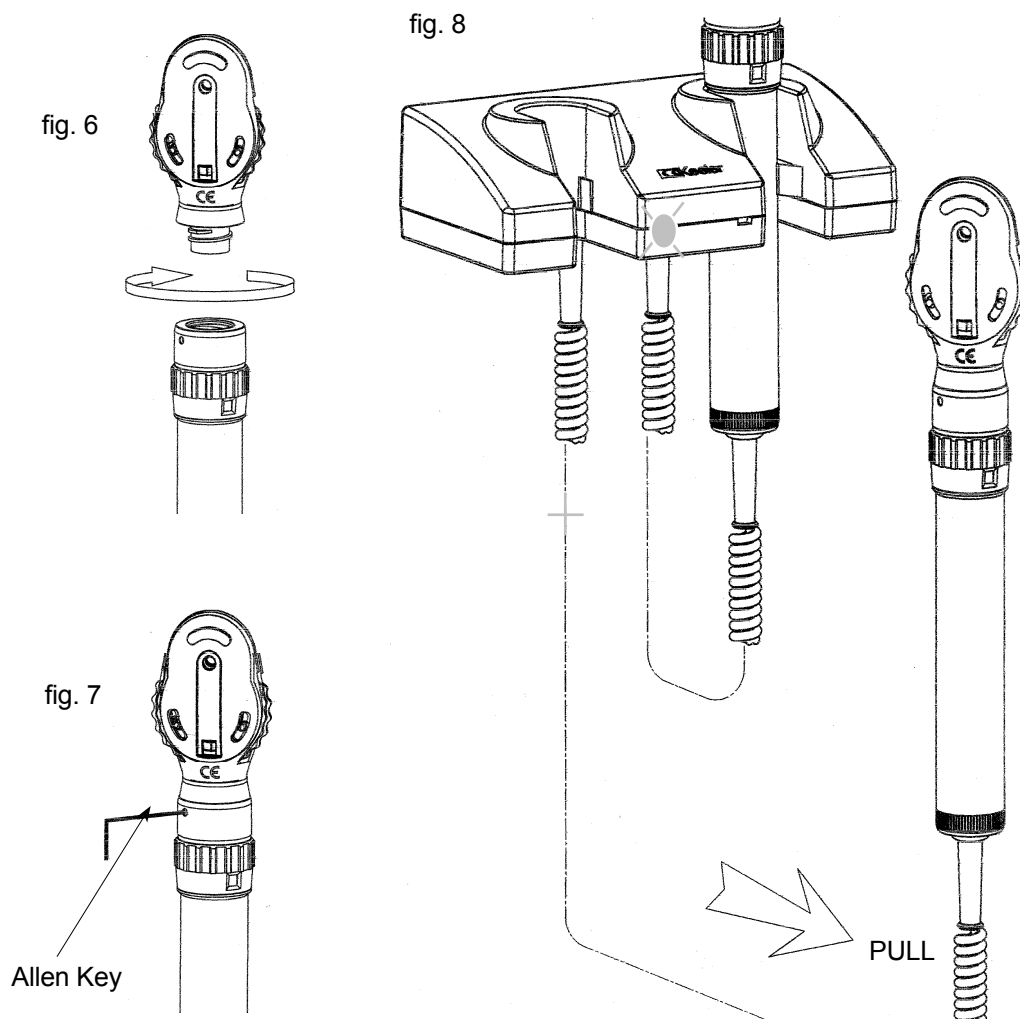
Operating instructions

Connecting your head to the wall unit handle

The instrument head should be screwed positively onto the handle as shown in fig 6.

As an additional security measure, instrument heads may be locked onto Keeler cord handles by tightening the built in screw with the hexagonal key provided see fig 7.

To use the required instrument, remove the relevant handle from its cradle as shown in fig 8.



A yellow light (LED) will illuminate when a cord handle is removed from its cradle. This will occur whether or not an instrument head is fitted.

When the instrument is no longer required always ensure that the handle is returned correctly to its cradle and that the LED goes out.

Only one handle can be used at a time. Replace the handle before using the other instrument.

Refer to Ophthalmic instructions for Ophthalmoscope - Otoscope operating procedures.

Dispos-A-Spec

To dispense a speculum, simply grasp the end of the required speculum and gently pull vertically. When a dispenser tube is empty, reorder speculum using the order form EP59-48483. Remove the lid from the unit and refill the required tube.




Warranty & Service

No user serviceable parts - all preventative maintenance and servicing must only be performed by an authorised Keeler representative.

Your Keeler wall unit is guaranteed for 3 years and will be replaced or repaired free of charge subject to the following:-

1. Any fault is due to faulty manufacture
2. The power supply has been used in compliance with these instructions
3. Proof of purchase accompanies any claim.

Technical Information

Input data:		100-240V - 50/60Hz
Power Consumption:		2.5 Amps
Operation:		Continuous
Classification:		Class II equipment Type B Protection against electric shock
Safety Class:		Double insulated
Ambient Temperature:		+10°C to +35°C
Transportation/Storage:		Ambient temperature -40°C to +70°C Relative humidity of 10% to 100% including condensation

Complies to EN60601-1

This equipment may be affected by electromagnetic interference.
Other electrical equipment in the close vicinity may also be affected by the Gen. Med. Unit.

If such effects are suspected, switch off the offending equipment.

Cleaning Instructions

Only manual non-immersion cleaning as described below should be used for the instrument:

1. Wipe the external surface with a clean absorbent, non shedding cloth dampened with a water / detergent solution (2% by volume) or water / isopropyl alcohol solution (70% by volume).
2. Ensure that excess solution does not enter the instrument. Use caution to ensure cloth is not saturated with solution.
3. Surfaces should be carefully hand-dried using a clean non-shedding cloth.
4. Safely dispose of used cleaning materials.

MANUFACTURED IN THE UK BY:

Keeler Limited

Clewer Hill Road

Windsor

Berkshire SL4 4AA

England

Tel: +44 (0)1753 857177

Fax: +44 (0)1753 827145

FREEPHONE: 0800 521 251

DISTRIBUTED BY:

Keeler Instruments Inc

456 Parkway

Broomall

PA 19008, USA

Toll Free: 1 800 523 5620

Tel: 610 353 4350

Fax: 610 353 7814

EP59 - 48475 Issue A



— A —
HALMA GROUP
C O M P A N Y



The CE mark on this
product indicates it has
been tested to and
conforms with the
provisions noted within
the 93/42/EEC Medical
Device Directive.